

SOMBRANO® S+ The big 360° sunshade

Glatz
Shade in Swiss Quality



Point of use



Fixations



Birgit und Bier Berlin



Downtown Bassersdorf

Material and technology

- Frame:** 8 rods made of aluminium, with crank mechanism, (self-locking on both sides) and tilting rod for effortless tilting of the shade roof on both sides up to 54 degrees. The pole profile is oval 66 × 95 × 3 mm. M4 turnable ball-bearing base, powder-coated cast steel, is included. With a removable hand crank.
- Frame colour:** material class 4 and 5: anodized natural or graphite grey powder-coated
material class 2: graphite grey powder-coated
- Frameform:** round, rectangular or square

- Shade cover:** self-tautening thanks to the flexible rod ends
material class 5 (100% polyacrylic approx. 300 g/m²)
material class 4 (100% polyester approx. 250 g/m²)
material class 2 (100% polyester approx. 220 g/m²)
- Flounce:** not available
- Protective cover:** included in the standard equipment

Assortment

	Nominal size cm	Lateral distance cm	Pole \varnothing cm	Area covered m ²	Height closed cm	Clear headroom cm	Total height cm	Length of free-arm cm	Foundation cm	Minimum weight for base kg	max. wind speed open perm. km/h (wind force)	Order no. Frame anodized natural	Order no. Frame graphite grey
	A	AS	M'	B	E	F	G	Z	C				
○	9 \varnothing 350	325	6.6 × 9.5	8.7	90	205	285	165	60 × 60	120	45 (6)	085 00 350 171	085 00 350 321
	9 \varnothing 400	370	6.6 × 9.5	11.3	85	210	300	185	60 × 60	150	35 (5)	085 00 400 171	085 00 400 321
□	9 400 × 300	-	6.6 × 9.5	12	35	210	300	185	60 × 60	150	35 (5)	085 00 402 171	085 00 402 321
□	9 300 × 300	-	6.6 × 9.5	9.0	55	215	285	165	60 × 60	120	45 (6)	085 00 310 171	085 00 310 321
	9 350 × 350	-	6.6 × 9.5	12.3	40	215	300	185	60 × 60	150	35 (5)	085 00 351 171	085 00 351 321

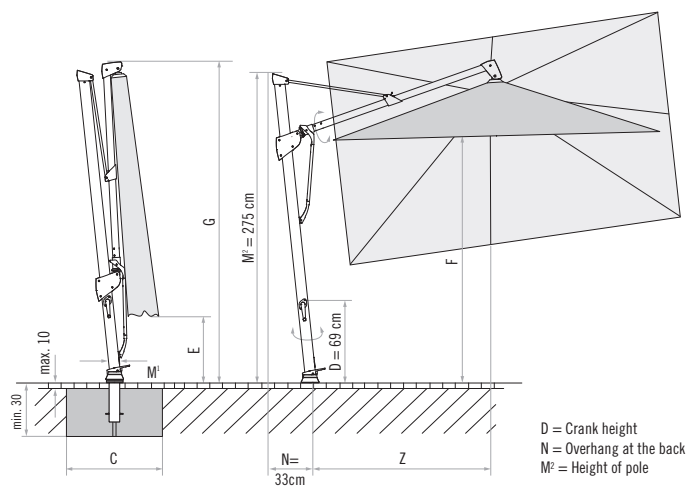
9 8 parts

The listed measures represent extrapolated average values that may be slightly different on the product ($\pm 2\% \pm 5$ cm).

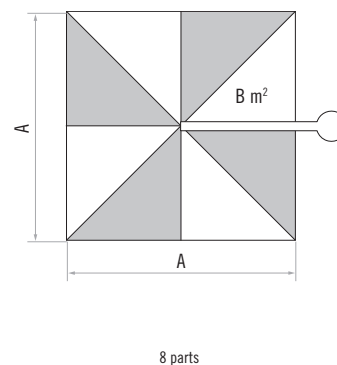
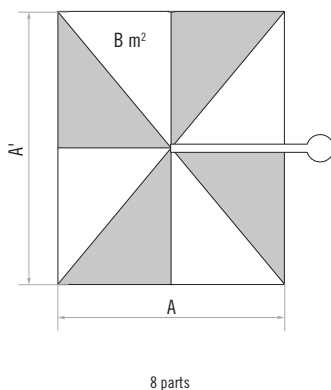
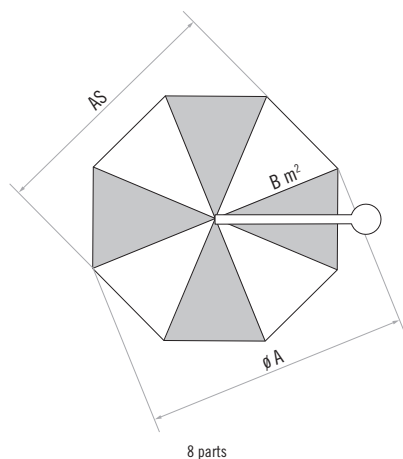
The height dimensions are based on the ground socket M4. With the base M4, 120 kg these vary by plus 11.5 cm and with the base M4, 180 kg by plus 15.5 cm.

The max. wind speed limits as per our separate sheet apply only if the sunshade canopy is in a horizontal position and if there is a fix ground anchorage.

In the presence of several sunshades, the minimum distance between one sunshade and another and between sunshades and walls shall be 20 cm.



Loose cover max. 10 cm, concrete thickness
min. 30 cm (pay attention to frost depth),
water outflow

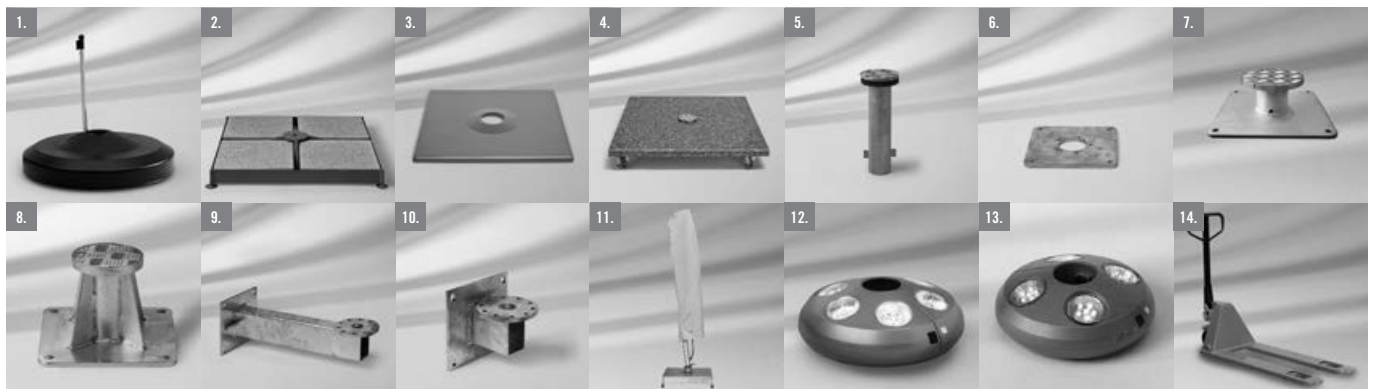


Accessories

	Order no.
³Base with castors (Weight set absolutely necessary)	
1. ³ Base frame with castors M4, 150 kg, Ø 88 × 17 cm, anthracite	350 01 102 700
³ Weights set, 4 pieces 35001105600, cement, for base with castors 150 kg, (weight set approx. 99 kg)	350 01 103 600
³ Protective cover for base with castors M4, 150 kg	350 01 602 600
Fixing option M4	
2. Base M4, 120 kg, (for 8 plates 40 × 40 × 4 cm), 91 × 91 × 11.5 - 15.5 cm, galvanised steel (adjustable and levellable) (without plates)	350 01 108 235
2. Base M4, 180 kg, (for 12 plates 40 × 40 × 4 cm), 91 × 91 × 15.5 - 19.5 cm, galvanised steel (adjustable and levellable) (without plates)	350 01 108 335
3. Cover for base M4, 88 × 88 × 5 cm, brushed aluminium (imitation)	350 01 100 400
Set of castors for base M4 (maximum weight 240kg), Ø 5 cm, H= 5.5 cm, galvanised steel	350 01 100 500
4. ³ Granite base M4, 120 kg, 90 × 90 × 17 cm, natural stone with castors	350 01 109 470
5. Ground socket M4, galvanised steel	350 01 226 510
6. Mounting plate M4 / M8, 30 × 30 × 1.5 cm, galvanised steel	350 01 226 921
7. Mounting plate M4 special, for installation height 50 – 149 mm, galvanised steel	350 01 226 932
8. Mounting plate M4 special, for installation height 150 – 350 mm, galvanised steel	350 01 226 930
6. Mounting plate M4 for isolated grounds, installation height made to measure, high-grade steel 1.4301 / 304	350 01 229 730
9. Wall console M4, extension 480 mm, galvanised steel	350 01 229 405
10. Wall console M4, extension 100 mm, galvanised steel	350 01 229 410
Slabs for base M4	
Slab set, 8 pieces, 40 × 40 × 4 cm, (ca. 110 kg), concrete	350 01 226 908
Slab set, 8 pieces, 40 × 40 × 4 cm, (ca. 115 kg), 4 pieces concrete, 4 pieces concrete in granite-look	350 01 226 909
Slab set, 12 pieces, 40 × 40 × 4 cm, (ca. 165 kg), concrete	350 01 226 907
Slab set, 12 pieces, 40 × 40 × 4 cm, (ca. 170 kg), 8 pieces concrete, 4 pieces polished granite	350 01 226 906
Protective cover, coated polyester fabric	
11. Protective cover with zip and rod for the SOMBRANO®, Ø 350 / 300 × 300	350 01 221 490
11. Protective cover with zip and rod for the SOMBRANO®, Ø 400 / 400 × 300 / 350 × 350	350 01 221 500
Miscellaneous items	
12. Rechargeable battery light Osyryon 6 for pole Ø 30 – 50 mm, battery charger with european plug (type C) included (1 accumulator included)	350 01 557 950
13. Rechargeable battery light Osyryon 4 for pole Ø 30 – 50 mm, battery charger with european plug (type C) included (1 accumulator included)	350 01 557 910
Spare accu, 3.6 V, 2500 mAh (for Osyryon 4 & 6)	350 01 557 920
14. ¹ Base transporter for sockets weighing 120 kg, 180 kg, 240 kg, 430 kg and 620 kg	350 01 909 000

¹while stocks last

³only suitable for smooth, joint free surface coverings





Dubai



Private estate



Grand Resort Bad Ragaz