

ALEXO® Design icon for 80 years

Glatz
Shade in Swiss Quality



Area of use



Type of fastening



Tuscany, Italy



Sky and Sand Beachclub Hamburg



Heididorf Maienfeld, Graubünden

Material and technology

Frame: 10 rods made of varnished ash, pole diameter 30 mm, ALEXO® ribbed gear joint made of nickel-plated brass; rails of fibreglass

Frame material: ash, clear finish

Frame shape: round

Shade cover: material class 5 (100 % polyacrylic approx. 300 g/m²)
material class 4 (100 % polyester approx. 250 g/m²)

Flounce: available with or without flounce. The model without flounce is equipped with leather reinforcements

Protective cover optional

Note: The wood may secrete colourings and its own natural oils which may leave residues behind on a light coloured cover. This cannot be avoided and is therefore not admissible as a complaint. Wood is a natural product and should not be left in the rain for too long!

Assortment

	Nominal size	Lateral distance	Pole Ø	Area covered	Height closed	Clear headroom	Total height	Foundation	Minimum weight for base	max. wind speed open perm.	Order no. Frame ash
	cm	cm	cm	m ²	cm	cm	cm	cm	kg	km/h (wind force)	
	A	AS	M	B	E	F	G	C			
without flounce											
	¹⁰ Ø 200	190	3.0	2.9	135	215	245	40×40	30	20 (4)	180 00 200 751
	¹⁰ Ø 220	210	3.0	3.6	125	210	245	40×40	40	20 (4)	180 00 220 751
with flounces											
	¹⁰ Ø 200	190	3.0	2.9	125	200	245	40×40	30	20 (4)	180 00 200 750
	¹⁰ Ø 220	210	3.0	3.6	115	195	245	40×40	40	20 (4)	180 00 220 750

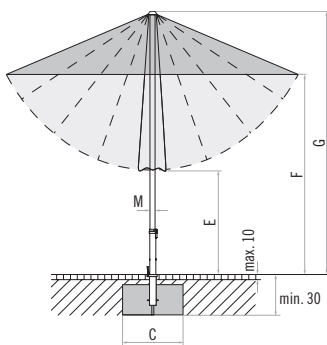
¹⁰10 parts

The listed measures represent extrapolated average values that may be slightly different on the product ($\pm 2\% \pm 5$ cm).

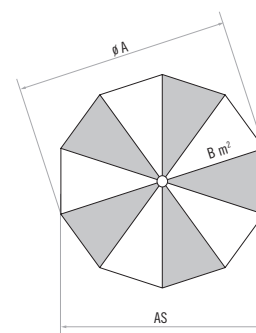
The measures of the height are determined by the ST ground socket. If one of the offered bases is used, these measures change only slightly. Apart from the steel base minus 5 cm.

The max. wind speed limits as per our separate sheet apply only if the sunshade canopy is in a horizontal position and if there is a fix ground anchorage.

In the presence of several sunshades, the minimum distance between one sunshade and another and between sunshades and walls shall be 20 cm.



Loose cover max. 10 cm, concrete thickness min. 30 cm
(pay attention to frost depth), water outflow



10 parts

Accessories

	Order no.
Fixing option ST (support tube ST absolutely necessary)	
1. Ground socket ST, galvanised steel	350 01 205 105
2. Support tube ST, Ø 25 – 33 mm, galvanised steel	350 01 205 100
Fixing option Z (support tube Z absolutely necessary)	
3. Concrete base Z, 30 kg, Ø 47×8.5 cm	350 01 109 532
3. Concrete base Z, 40 kg, Ø 60×8.5 cm	350 01 109 529
4. Granite base Z 40 kg, Ø 53×7 cm, natural stone	350 01 109 460
5. ³ Granite base Z 55 kg, 55×55×9 cm, natural stone, with castors and retractable handle	350 01 109 440
6. Steel base Z 40 kg, 58.5×58.5×2 cm, galvanised steel	350 01 100 210
7. Wall bracket Z, 180 mm, galvanised steel	350 01 205 000
8. Lawn spike Z, 85×150×350, galvanised steel	350 01 205 400
9. Support tube Z, Ø 25 - 33 mm, galvanised steel	350 01 200 135
Protective cover, coated polyester fabric	
10. Protective cover	350 01 609 985

³only suitable for smooth, joint free surface coverings

