



Area of use



Type of fastening



The first class among the wood sunshades will now be known as – AURA. Square in shape, this unique free-arm sunshade provides magic moments. Thanks to the side pole, the whole space below the sunshade is free to be used. The AURA offers more than just shade and comfort: the AURA is surrounded by a cosy atmosphere like no other.



Tuscany, Italy

## Material and technology

- Frame:** With 8 parts made from eucalyptus wood
- Frame material:** Pole made from high-quality varnished eucalyptus wood with additional stabilising aluminium core. Struts made from eucalyptus wood. Stainless steel and aluminium components silver powder-coated.
- Frame shape:** square
- Shade cover:** material class 5 (100 % polyacrylic approx. 300 g/m<sup>2</sup>)

- Flounce:** not available
- Protective cover:** included in the standard equipment
- Support tube:** included in the standard equipment
- Note:** Wood is a natural product. With increasing utilisation period it can lighten or darken. This fact cannot be eliminated and therefore this is not a justified complaint.

Despite lavish paintwork the wood should not be exposed to rain for a longer time.

## Assortment

	Nominal size	Lateral distance	Pole Ø	Area covered	Height closed	Total height	Height of pole	Length of free-arm	Foundation	Minimum weight for base	max. wind speed open perm.	Order no.
	cm	cm	cm	m <sup>2</sup>	cm	cm	cm	cm	cm	kg	km/h (wind force)	Frame eucalyptus wood
	A	AS	M	B	E	G	M <sup>2</sup>	Z	C			
□	350 × 350	-	8.8 × 14	12.3	45	297	279	195	80 × 80	240	45 (6)	111 00 351 751
	400 × 400	-	8.8 × 14	16	18	305	287	220	100 × 100	240	40 (6)	111 00 401 751

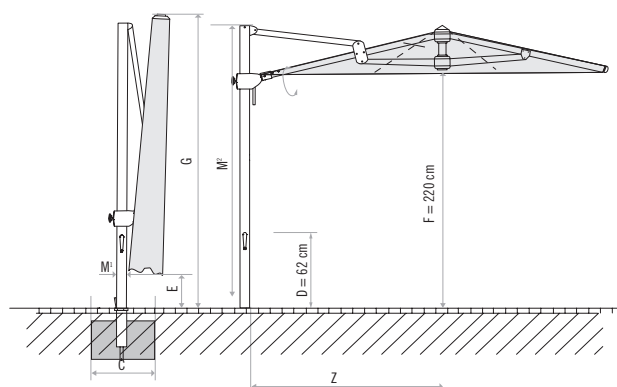
8 parts

The measurements specified are calculated average values and may differ slightly in the product ( $\pm 2\% \pm 5$  cm).

The height measurements are based on the M4 ground socket. For the M4 variant base, 240 kg plus 19 cm.

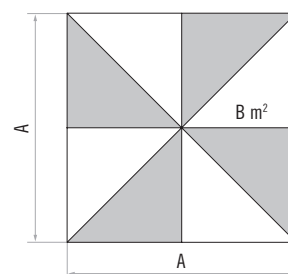
The maximum permissible wind speed in accordance with the table applies for a horizontally positioned canopy and requires fixed anchorage to the ground.

For multiple sunshades, a minimum distance of 20 cm between two sunshades, as well as to walls, should be maintained. Opening and closing using a battery-operated drill is not permitted.



Loose cover max. 10 cm, concrete thickness min. 30 cm (pay attention to frost depth), water outflow

D = Crank height  
F = Clear headroom



8 parts

## Accessories

	Order no.
<b>Fixing option M4 (support tube included in the standard equipment)</b>	
1. Base M4, 240 kg, (for 16 plates 40 × 40 × 4 cm), 91 × 91 × 19 - 23 cm, zinc-plated steel (adjustable and levellable) (price without plates)	350 01 108 435
2. Cover for base M4, 88 × 88 × 5 cm, brushed aluminium (imitate)	350 01 100 400
3. Ground socket M4, galvanised steel	350 01 226 510
4. Mounting plate M4 / M8, 30 × 30 × 1.5 cm, galvanised steel	350 01 226 921
5. Mounting plate M4 special, for installation height 50 – 149 mm, galvanised steel	350 01 226 932
6. Mounting plate M4 special, for installation height 150 – 350 mm, galvanised steel	350 01 226 930
Mounting plate M4 for isolated grounds, installation height made to measure, high-grade steel 1.4301 / 304	350 01 229 730
<b>Slabs for base M4</b>	
Slab set, 16 pieces, 40 × 40 × 4 cm, (ca. 220 kg), concrete	350 01 226 904
Slab set, 16 pieces, 40 × 40 × 4 cm, (ca. 225 kg), 12 pieces concrete, 4 pieces in granite-look	350 01 226 903
<b>Protective cover, coated polyester fabric</b>	
7. Protective cover with zip and rod for the AURA, 350 × 350	350 01 609 730
7. Protective cover with zip and rod for the AURA, 400 × 400	350 01 609 740
<b>Miscellaneous items</b>	
8. <sup>1</sup> Base transporter for sockets weighing 120 kg, 180 kg, 240 kg, 430 kg and 620 kg	350 01 909 000

<sup>1</sup>while stocks last

