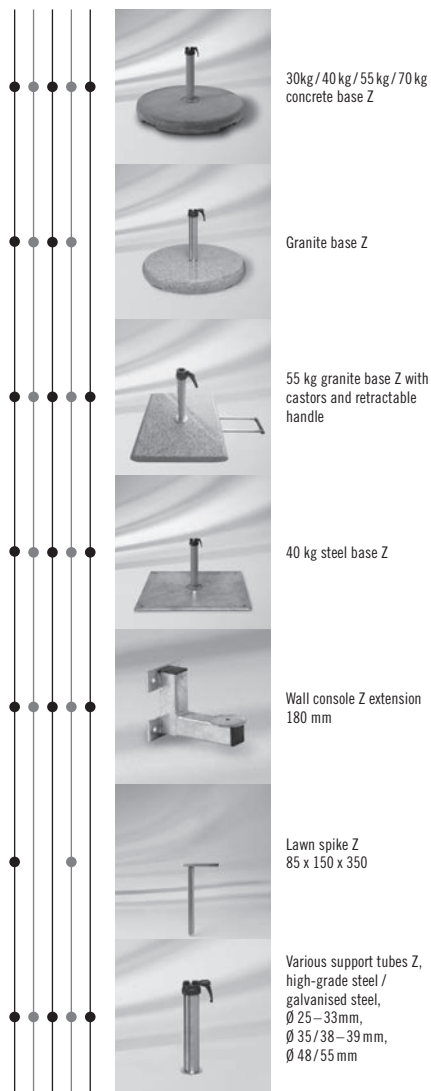


**Fixing option Z (support tube Z required)**



30 kg / 40 kg / 55 kg / 70 kg  
concrete base Z

Granite base Z

55 kg granite base Z with  
castors and retractable  
handle

40 kg steel base Z

Wall console Z extension  
180 mm

Lawn spike Z  
85 x 150 x 350

Various support tubes Z,  
high-grade steel /  
galvanised steel,  
Ø 25–33 mm,  
Ø 35/38–39 mm,  
Ø 48/55 mm

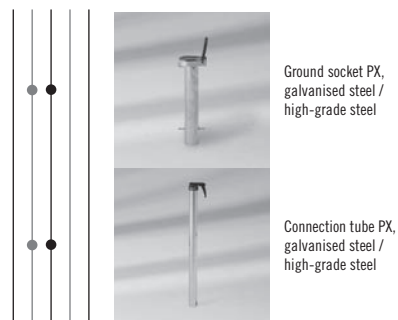
**Base with castors (Weight set required)**



Base with castors,  
square, 45 kg

Base with castors,  
round, 60 kg

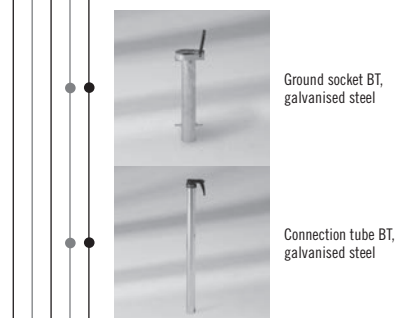
**Fixing option PX Ø 48/55 mm  
(connection tube PX required)**



Ground socket PX,  
galvanised steel /  
high-grade steel

Connection tube PX,  
galvanised steel /  
high-grade steel

**Fixing option BT Ø 35/38–39 mm  
(connection tube BT required)**



Ground socket BT,  
galvanised steel

Connection tube BT,  
galvanised steel

**Fixing option ST Ø 25–33 mm  
(support tube ST required)**



Ground socket ST,  
galvanised steel

Support tube ST,  
galvanised steel

**Different fixing options**



Clamp U  
for the table top

**Protective cover,  
coated polyester fabric**



Protective cover /  
Protective cover with  
zip and rod

**Miscellaneous items**



Osyrion 4 accu light  
Ø 30–50 mm



Osyrion 6 accu light  
Ø 30–50 mm



Osyrion 8 accu light  
Ø 48–68 mm

**Fixing option Z (support tube Z required)**



Base with castors Z,  
55 kg/90 kg



70 kg / 90 kg concrete base Z



Granite base Z, 90 kg



40 kg steel base Z



Support tube Z,  
high-grade steel /  
galvanised steel,  
Ø 48 / 55 mm



Support tube Z, P+  
M4,  
high-grade steel /  
galvanised steel

**Fixing option M4, M8, M16**

(Support tube or Tip-over hinge absolutely required)



Base M4,  
120 kg, 180 kg, 240 kg,  
galvanised steel



Cover for base M4



Granite base M4,  
120 kg, natural stone  
with castors



Ground socket M4,  
galvanised steel



Mounting plate M4, M8,  
galvanised steel



Mounting plate M4,  
special, for installation  
height 50 – 149 mm,  
galvanised steel



Mounting plate M4,  
special, for installation  
height 150 – 350 mm,  
galvanised steel



Wall console M4 extension  
100 mm



Wall console M4 extension  
480 mm



Various support tubes M4,  
galvanised steel



Support tube P+ for  
FORTELLO® / LED  
and PENDALEX® P+



**Base with castors (Weight set required)**



Base with castors,  
square, 100 kg



Base with castors M4,  
150 kg



Base with castors,  
round, 150 kg

**Fixing option PX Ø 48 / 55 mm**  
(support tube PX required)



Ground socket PX,  
galvanised steel /  
high-grade steel



Connection tube PX,  
galvanised steel /  
high-grade steel



Connection tube PX, P+  
galvanised steel /  
high-grade steel

**Protective cover,  
coated polyester fabric**



Protective cover with  
zip and rod

**Miscellaneous items**



Osyrion 4 accu light  
Ø 30 - 50 mm



Osyrion 6 accu light  
Ø 30 - 50 mm



Osyrion 8 accu light  
Ø 48 - 68 mm



Bistro table  
Ø 48 / 55 mm



Base transporter for sockets

**Fixing option M4, M8, M16**  
 (Support tube or Tip-over hinge absolutely required)



Base M4, M8, M16, 430 kg, galvanised steel (adjustable and levellable)

Base M4, M8, M16, 620 kg, galvanised steel (adjustable and levellable)

Base M4, 120 kg, 180 kg, 240 kg, galvanised steel

Cover for base M4

Ground socket M8, Ground socket M16, galvanised steel

Ground socket M4, galvanised steel

Mounting plate M4, M8, Mounting plate M16, galvanised steel

Mounting plate M4, Mounting plate M8, Mounting plate M16, special, for installation height 50–149 mm, galvanised steel

Mounting plate M4, Mounting plate M8, Mounting plate M16, special, for installation height 150–350 mm, galvanised steel

Wall console M4 extension 100 mm

Wall console M4 extension 480 mm



Support tube M4 for AMBIENTE®, galvanised steel

Support tube M4 for CASTELLO®, galvanised steel

Support tube M4 for PzS, PzN, galvanised steel

Tip-over hinge M8 for PzS, PzN, M16 for PzR, galvanised steel

**Different fixing options**



Ground socket for AMBIENTE®, 210° turnable, galvanised steel

**Protective cover, coated polyester fabric**



Protective cover with zip and rod

**Rain gutter an curtain**  
 (suitable only for square an rectangular sunshades)

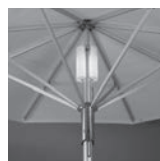


Rain gutter



Curtain

**Lighting and heating**



Lighting for CASTELLO®



Heating units, max. 4 per sunshade 1500 W

Electric kit for CASTELLO®

LED for PALAZZO®

Pz14 controls for PALAZZO®

**Miscellaneous items**



Remote control 3-channel  
 Remote control 7-channel



Control unit, motor drive, key switch, anemometer for AMBIENTE®



Remote control, key switch for AMBIENTE®



Base transporter for sockets



Impact protection for sunshade pole, grey